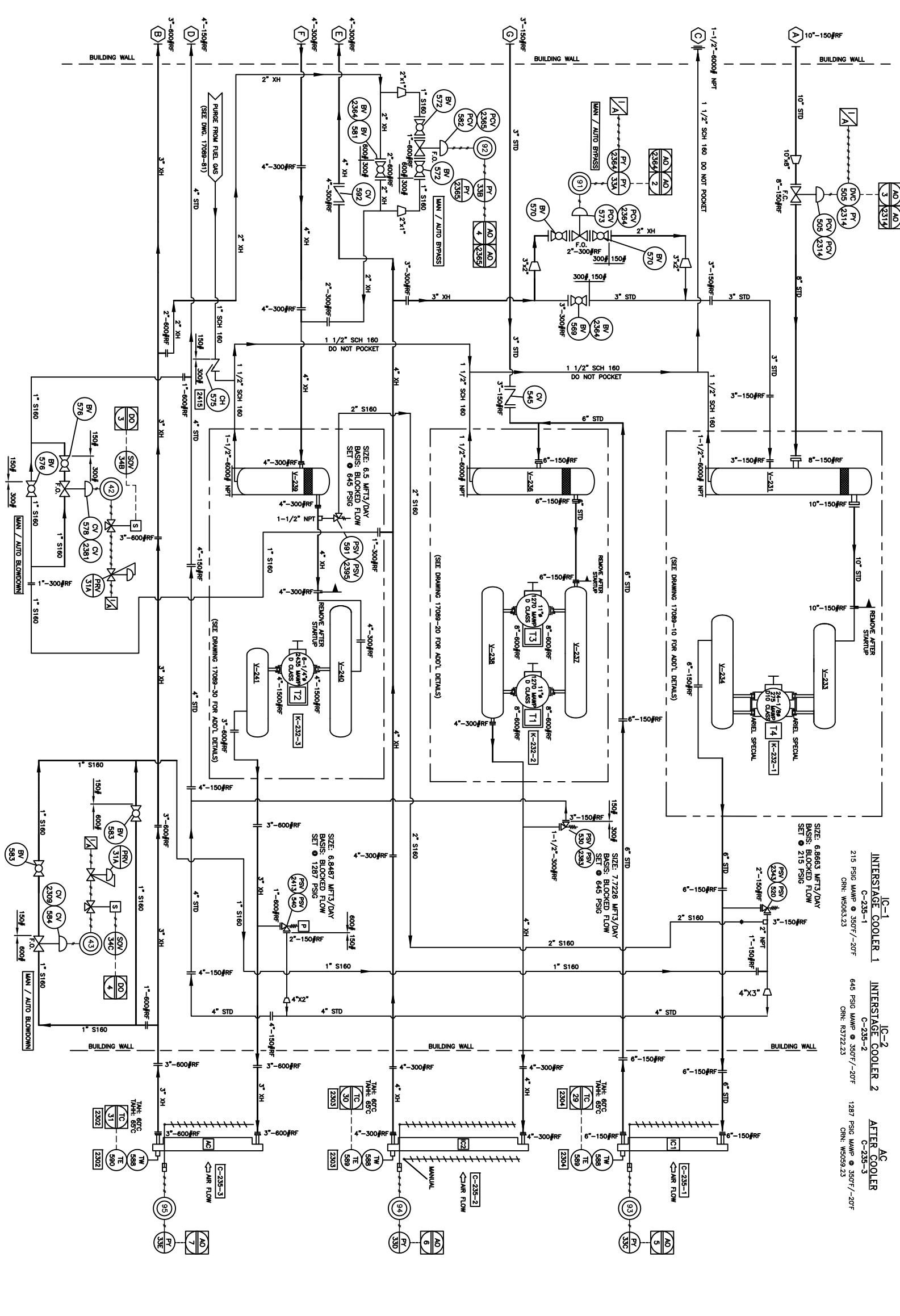


BILL OF MATERIAL

NOTE: ITEM No. = FIRST TWO DIGITS (DWG REF.), LAST TWO DIGITS (Item No.)

ITEM	PART NO.	QTY.	DESCRIPTION
505	807407	1	VALVE CONTROL 8"-150CL. REF. RHT. MNT. ST. P2.0-30 PSI. OP. RGE. FAIL CLOSED.
520	804675-215	1	FISHER 2052-3-V200-DV06200 FISHER RELIEF FARRIS. 2"-150RF. "J" ORIFICE. NACE. 26A10-120/00. SET @ 215PSIG / 350F
530	804575-645	1	316 SST TRIM. CHROME STEEL SPRING COMP. TO NACE. MR-01-75 IN PRIMARY ZONE
540	807408-1287	1	VALVE RELIEF FARRIS. PILOT. 1"-600RF. X 2" 150RF. 38FC13-120/00. "F" ORIFICE. 38FC13-120/00. NACE. SET @ 1287 PSIG / 350F
545	807680	1	VALVE CHECK. PISTON. 3"-150CL. RF. A350-LF2 BODY. NACE. STREAMFLOW CROWN (3P-505B3-A7F) S/N: 818772-2-DA
548	802465	1	VALVE BALL. 3"-300CL. RF. FP. LH. NACE. WKM (8128-CS2-42-S2 WR)
570	803132	2	VALVE BALL. 2"-300CL. RF. RP. LH. NACE. WKM (8120-CS2-42-S2 WR)
572	803133	2	VALVE BALL. 1"-600CL. RF. RP. LH. NACE. WKM (2168091-44-21-1)
573	805806	1	VALVE CONTROL. 2"-300CL. 1-1/4" M-FORM TRIM. 0-33 PSI SIZE 40 ACTUATOR. FAIL OPEN. NACE. FISHER (D4)
575	803972	1	VALVE CHECK. PISTON. 1"-800CL. NPT. NACE TRIM. NEWCO 48T-FS4-3
576	804344	2	VALVE BALL. 1"-600CL. NPT. RP. LH. NACE. NUTRON (T3-R10560S2)
578	806287	1	VALVE CONTROL. 1"-900# NPT. LOC. HT BODY. 1/4"-1/2" TRIM. NACE. 0-35PSI. FAIL OPEN/SET @ 3/8" PORT. FISHER (02-1687-52179)
581	802470	1	VALVE BALL. 2"-600CL. RF. FP. LH. STD. TRIM. WKM (2168091-40-21)
582	807409	1	VALVE CONTROL. 1"-600CL. RF. 3/4" M-FORM TRIM. 0-33PSI. FAIL OPEN. NACE. FISHER (D4)
583	804344	2	VALVE BALL. 1"-600CL. NPT. RP. LH. NACE. NUTRON (T3-R10560S2)
584	806287	1	VALVE CONTROL. 1"-900# NPT. LOC. HT BODY. 1/4"-1/2" TRIM. NACE. 0-35PSI. FAIL OPEN/SET @ 3/8" PORT. FISHER (02-1687-52179)
588	807121	3	THERMOWELL. 1" X 1/2" NPT. 0.260" BORE. 12" STEM. 10-1/2" U. 316SS. WKA
589	807574	2	THERMOCOUPLE. TYPE K. 14" PROBE. 20" SS ARMOUR LEAD. PIC
590	807575	1	C/W CONNECTORS M & F (1015-K, 1065-K)
591	807936-645	1	THERMOCOUPLE. TYPE M & F (1015-K, 1065-K) C/W CONNECTORS M & F (1015-K, 1065-K)
592	807573	1	VALVE CHECK. PISTON. 4"-300CL. RF. NON-SLAM. A352 LCC-Low TEMP BODY. 316SS NACE TRIM. VALTEK (MK-4)



GENERAL NOTES

- ALL PRESSURE VESSELS ARE DESIGNED, FABRICATED AND TESTED IN ACCORDANCE WITH ASME SECTION VIII, DIV. 1.
- STAGE ONE & TWO RADIOGRAPHY = FULL
- STAGE ONE & TWO PWHT = YES
- STAGE ONE & TWO PWHT = N/R
- ALL PIPING DESIGNED, FABRICATED AND TESTED IN ACCORDANCE WITH ASME B31.3.
- STAGE ONE & TWO C.A. = 1/8"
- STAGE ONE & TWO RADIOGRAPHY = FULL
- STAGE ONE & TWO PWHT = SPOT
- STAGE ONE & TWO PWHT = N/R
- PROCESS INSTRUMENT LINES: STAGE 1 & 2: 316SS 0.035" WALL TUBING C/W SWAGLOK 316SS FITTINGS w/ 316SS BACK & FRONT FERRULES
- UTILITY INSTRUMENT LINES: STAGE 3: 316SS 0.035" WALL TUBING C/W SWAGLOK 316SS FITTINGS w/ 316SS BACK & FRONT FERRULES
- INSTRUMENT MEDIUM: CLEAN, DRY AIR
- PROCESS HARDWARE: NUTS: 2HM
- GASKETS: FLEXITALLIC (316SS GREY STRIPE)
- VENT TO SAFE AREA. SAFE AREA SHALL BE DIRECTED TO AVOID RECIRCULATION INTO THE BUILDING VIA VENTS, INGESTION INTO THE HOT SURFACES (SILENCERS, CATALYTIC CONVERTER/ENGINE EXHAUST PIPING.)
- SURFACE PREPARATION: SSPC-SP2
- PAINT: F34 WARM GREY ENAMEL
- DO NOT POCKET OR DEAD LEG SCRUBBER DRAIN SYSTEM.

CUSTOMER CONNECTIONS

TAG	DESCRIPTION	SIZE (VOLUME)
A	SOUR SOLUTION GAS FROM INLET SEPARATOR	10"-150CL. RF
B	SALES GAS TO SALES GAS TO LUBE OIL FILTER	3"-400CL. RF
C	TO FLARE/DRAIN DRUM	1-1/2"-600CL. NPT
D	PSV VENT HEADER	4"-150CL. RF
E	SOUR GAS TO SCRUBBER	4"-300CL. RF
F	SWEET GAS FROM GAS/GAS EXCHANGER	4"-300CL. RF
G	DE-HEATER OVERHEAD PRODUCT FROM	3"-150CL. RF
	PROPANE SUBCOOLER	

THIS DOCUMENT IS SUPPLIED IN CONFIDENCE. REPRODUCTION OR DISTRIBUTION IN ANY FORM IS STRICTLY PROHIBITED.

DATE: _____

BY: _____

AS BUILT

NGC SOLUTIONS

COMPRESSION DIAGRAM

PROJECT: 4 THRU 3 STAGE SWEET / SOUR NATURAL GAS COMPRESSOR PKG. AREEL JGD/4; WAUKESHA L7044GSH; AXH 1566F

LOCATION: PORTAL, SASKATCHEWAN

DATE: 01-09-001-04-W2M

REV. BY: K. BLUCK

DATE: 10/09/14

SCALE: 1 (ONE)

DWG. NO.: 17089-05